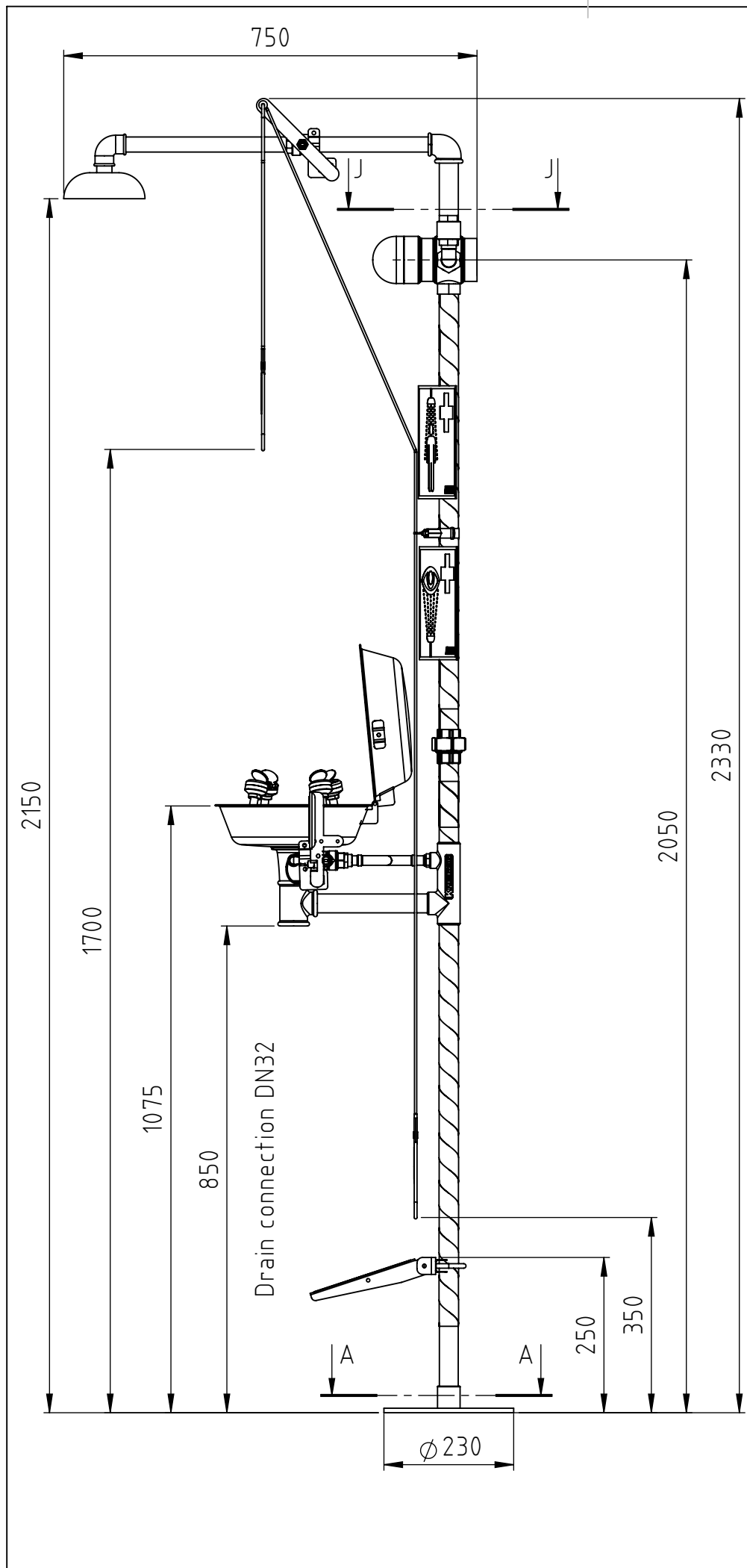
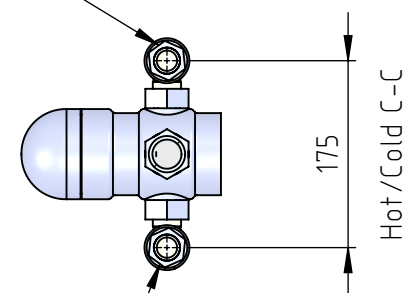


This document must not be copied without our written permission, and the contents thereof must not be imparted to a third party nor be used for any unauthorized purpose. Contravention will be prosecuted.



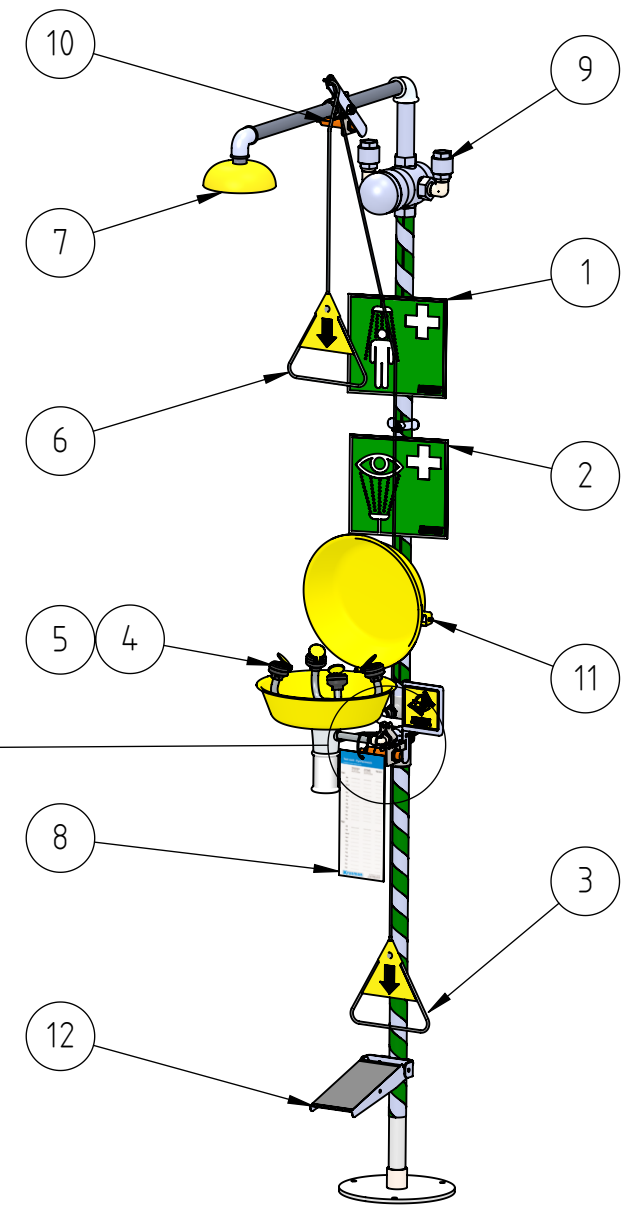
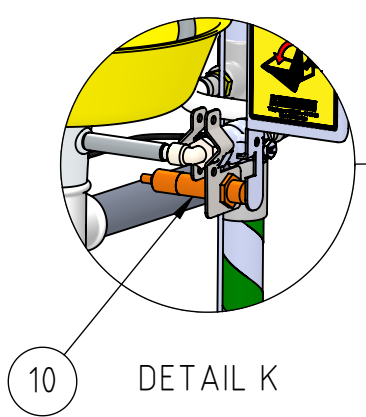
Hot water IN  
G3/4" female  
thread

Note: Elbow angle may be adjusted  
to fit site requirements.

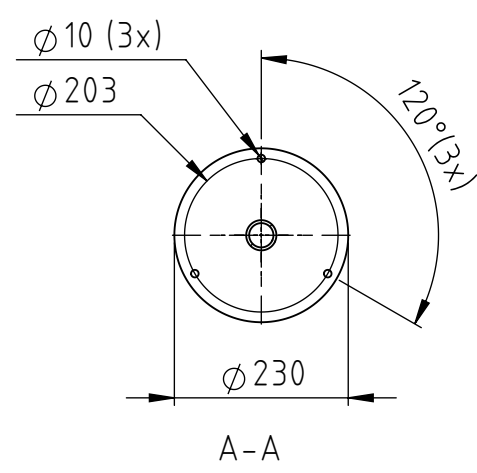


Cold water IN  
G3/4" female  
thread

J-J



Optional fittings:  
More accessories and  
customization options on request



Pos	Quantity	Order number	Description
12	1	KND570	Foot pedal for eyewash activation
11	1	Eyewash lid	Included with model 3882
10	2	Inductive sensor	Sensor for signaling usage, for alarms and/or DCS signal.
9	1	RSK 8213845	Mixing valve with check valves - 90L/min
8	1	KND549	Control card
7	1	KND531	Shower head 76 litres/minute, stainless steel
6	1	KND532	Pull rod, stainless steel
5	4	KND506	Filter to spray head, 7 litres/minute
4	4	KND505	Spray head, 7 litres/minute
3	1	KND540-101	Pull rod for disabled person
2	1	KND545	Emergency sign, eye wash
1	1	KND547	Emergency sign, shower

Owner	Prepared by	Approved by	Date	Scale	
	JB	TM	2022-06-16	1:10	
		<b>Combination Shower</b>			Drawing No. <b>R3882/3883</b>
Phone: +46-(0)21-14 92 00 Website: www.krusman.com		Title <b>RSK 821 3882/3883</b> Also applicable for -00 "Stainless steel models" Installation drawing			
					Sheet 1 (1)